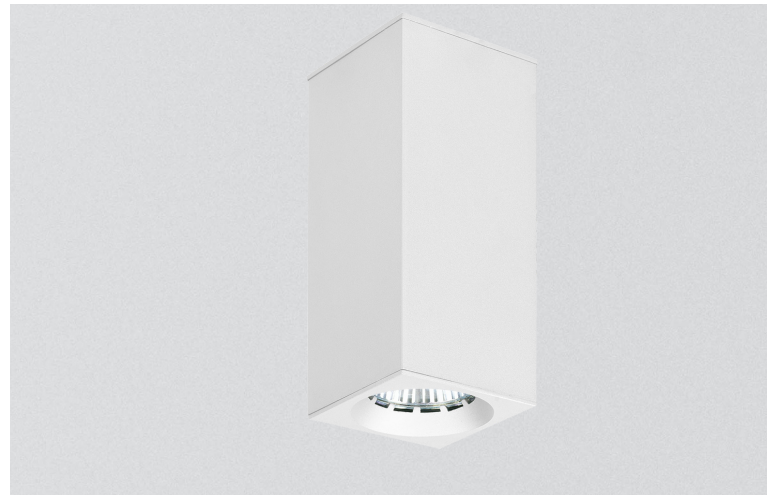


CUBE STRAIGHT

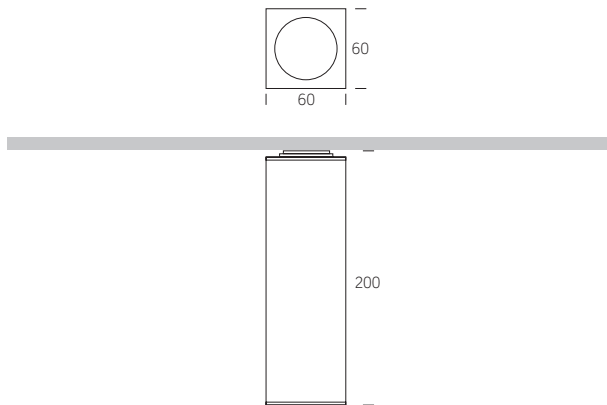
SURFACE & PENDANTS



	W	mA	TEMP	LUM	CRI
6W	6.2	350	2.700K	570	>90
			3.000K	595	
			4.000K	635	



TEC.DRAWINGS



GU 10 230V MAX 50W

CBES E 50 X X X X **WS**
 CBES E 50 X X X X **BS**

LED 230V IP20 McAdam C2

≈ 6W > 600lm CBES A 06 . . 4 . .

BASIC OPTIONS

NO DIM	N	No Dimmable							
3K	3	3000K							
	4	48°							
	B	Clear Difusser							
	WS	Satin White	CBES	A	..	N	3	4	B WS
	BS	Satin Black	CBES	A	..	N	3	4	B BS

CUSTOMIZE OPTIONS

LED COLOR TEMPERATURE									
2.7K	2	2700K	CBES	A	..	.	2	.	.
4K	4	4000K	CBES	A	..	.	4	.	.