



# BODY FIVE

OUTDOOR



## SPECIFICATIONS

Qualities



Led Colour



Regulation



Beam Angle



Finish



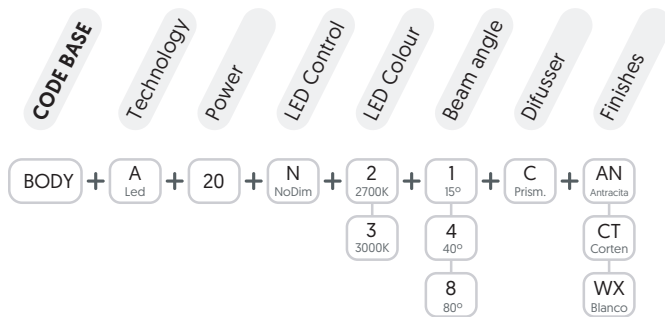
Diffuser



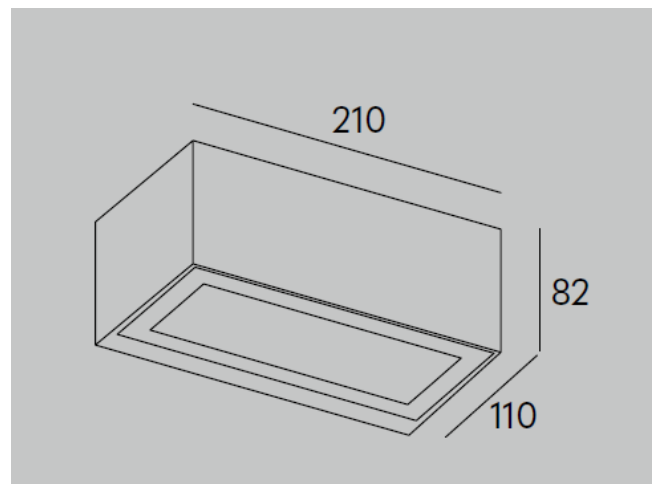
Installation



## REFERENCE CODE



## TECHNICAL DRAWINGS



## LIGHT SOURCE

|                  | W    | V    | TEMP   | LUM    | CRI |
|------------------|------|------|--------|--------|-----|
| <b>BODY FIVE</b> | 2x10 | 230V | 2.700K | 2x1145 | >90 |
|                  |      |      | 3.000K | 2x1272 |     |