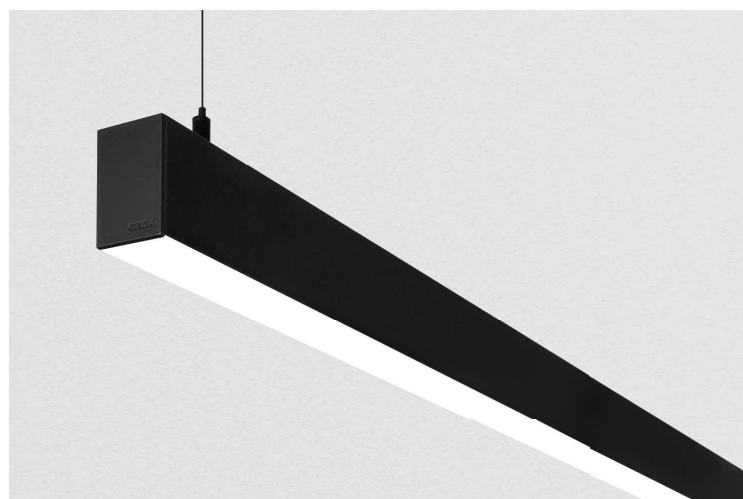


# LINE PROFILES



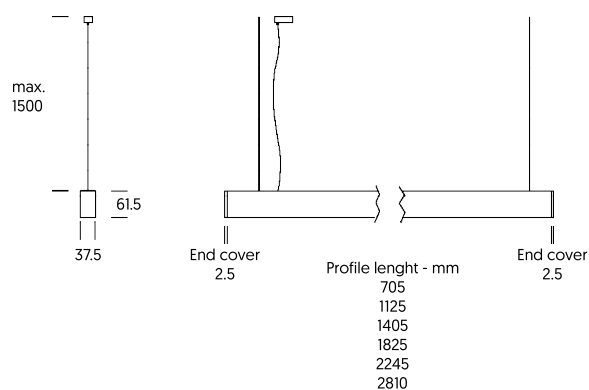
	W	mm	mA	TEMP	LUM	CRI
LINE_07	15	705	500	3.000K	2.325	>85
				4.000K	2.499	
LINE_11	23	1.125	500	3.000K	3.720	>85
				4.000K	3.999	
LINE_14	30	1.405	500	3.000K	4.650	>85
				4.000K	4.998	
LINE_18	38	1.825	500	3.000K	6.045	>85
				4.000K	6.498	
LINE_22	47	2.245	500	3.000K	7.440	>85
				4.000K	7.998	
LINE_28	59	2.810	500	3.000K	9.300	>85
				4.000K	9.997	

Para medidas mas largas de 2810 mm, utilizar combinaciones de perfiles.  
For longer measurements of 2810 mm You have to use combination of differents profiles.

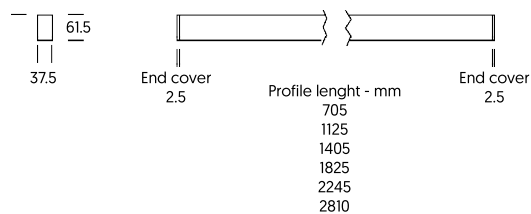
**IMPORTANTE:** Una alimentación para máximo 10 metros. / **ATTENTION:** Maximum 10 meters per one power supply.

## TEC.DRAWINGS

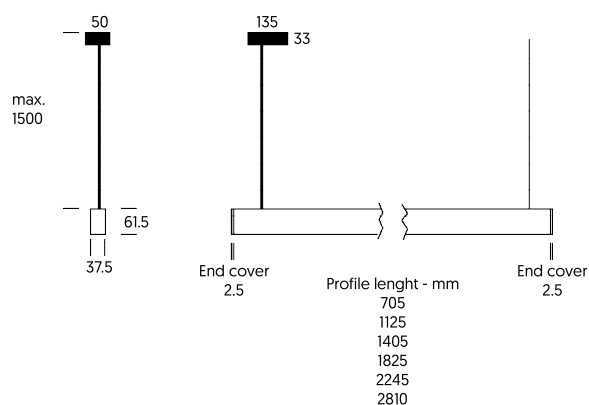
### Pendant Version



### Surface Version



### Pendant Bar



\*\*Se debe definir longitud de barra, el usuario no puede modificar la longitud / Bar length must be defined, the user cannot modify the length.



LED	⊕	230V	IP20	L 60,000h L80	McAdam C3				
≈ 14W	> 2.000lm	<b>LNEX A 07</b>	• •	<b>9</b>	• •				
≈ 22W	> 3.000lm	<b>LNEX A 11</b>	• •	<b>9</b>	• •				
≈ 28W	> 4.000lm	<b>LNEX A 14</b>	• •	<b>9</b>	• •				
≈ 36W	> 6.000lm	<b>LNEX A 18</b>	• •	<b>9</b>	• •				
≈ 45W	> 7.000lm	<b>LNEX A 22</b>	• •	<b>9</b>	• •				
≈ 56W	> 9.000lm	<b>LNEX A 28</b>	• •	<b>9</b>	• •				

### BASIC OPTIONS

<b>NO DIM</b>	<b>N</b>	No Dimmable					
<b>3K</b>	<b>3</b>	3000K					
<b>9</b>	<b>9</b>	120°					
<b>A</b>	<b>A</b>	Ice Difusser					
<b>WS</b>	<b>WS</b>	Satin White	LNEX A	• •	<b>N 3 9 A WS</b>		
<b>BS</b>	<b>BS</b>	Satin Black	LNEX A	• •	<b>N 3 9 A BS</b>		

### CUSTOMIZE OPTIONS

#### LED CONTROL

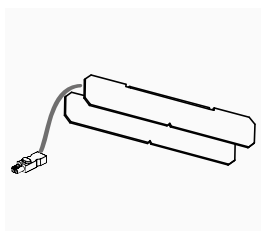
<b>PUSH</b>	<b>F</b>	Dimmable Push	LNEX A	• •	<b>F</b>	• 9	• •
<b>DALI</b>	<b>D</b>	Dimmable Dali	LNEX A	• •	<b>D</b>	• 9	• •

#### LED COLOR TEMPERATURE

<b>4K</b>	<b>4</b>	4000K	LNEX A	• •	• <b>4</b>	9	• •
-----------	----------	-------	--------	-----	------------	---	-----

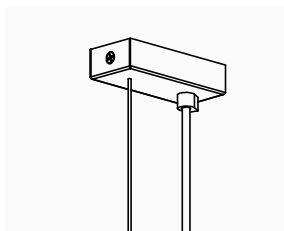
**COMPLEMENTS CODES**  
PENDANT VERSION

1.5Metros estandar - Standar 1.5 Meters  
\*5Metros opcional - Optional 5 Meters



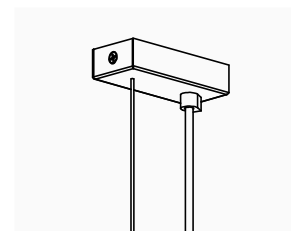
**Interior Joint NO-DIM**  
1.5Meters LNEUXNXXELUN1  
2.0Meters LNEUXNXXELUN2

**Interior Joint DIM**  
1.5Meters LNEUXDXXELUD1  
2.0Meters LNEUXDXXELUD2



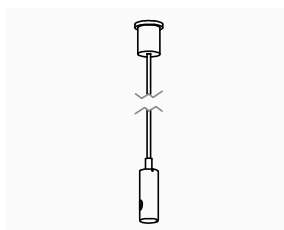
**Electrical Susp. DIM**

1.5Meters LNEKKSEDI50BS Black  
1.5Meters LNEKKSEDI50WS White  
\*5Meters LNEKKSEDI500BS Black  
\*5Meters LNEKKSEDI500WS White



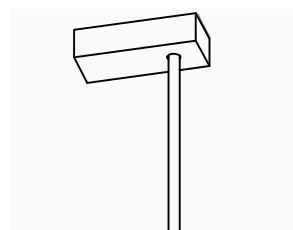
**Electrical Susp. NO-DIM**

1.5Meters LNEKKSEN500BS Black  
1.5Meters LNEKKSEN500WS White  
\*5Meters LNEKKSEN500BS Black  
\*5Meters LNEKKSEN500WS White



**Kit Suspension**

1.5Meters LNEKKSUP150BS Black  
1.5Meters LNEKKSUP150SS Silver  
\*5Meters LNEKKSUP500BS Black  
\*5Meters LNEKKSUP500SS Silver

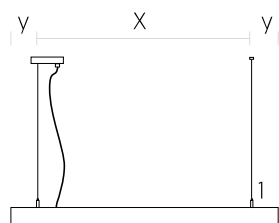
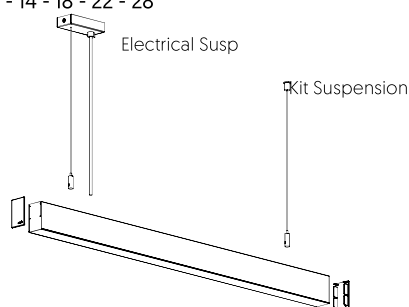


**Kit Susp. Bar**

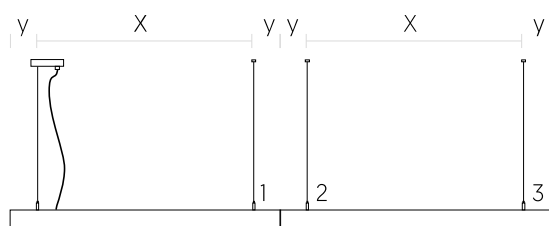
NO DIM LNEXBSENI50BS Black  
NO DIM LNEXBSENI50WS White  
DALI LNEXBSEDI50BS Black  
DALI LNEXBSEDI50WS White

**SINGLE VERSION**

Line 07 - 14 - 18 - 22 - 28



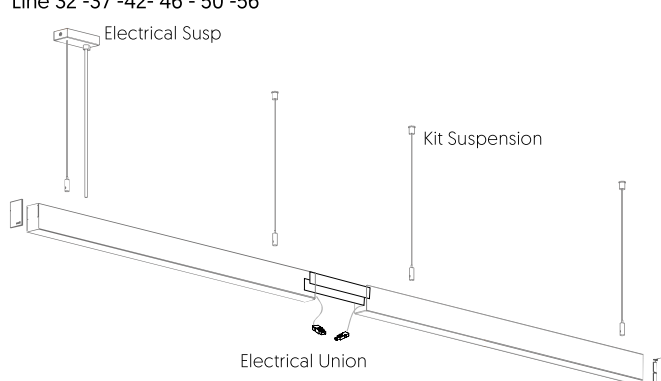
Line 07-11-14-18-22



Line 32-37-42-46-50-56

**CONTINUOUS VERSION**

Line 32 -37 -42- 46 - 50 -56

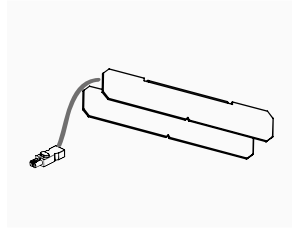


**GUÍA COMPLEMENTOS/ COMPLEMENTS GUIDE**

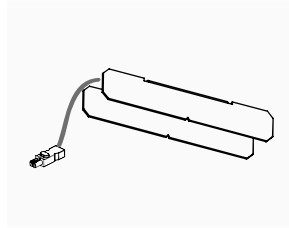
Ref.	Lenght	Elect Susp.	Kit Susp.	Ele.Union	X	Y
Line 07	07 705 mm	1	1	-	605	50
Line 11	11 1.125 mm	1	1	-	1025	50
Line 14	14 1.405 mm	1	1	-	1.305	50
Line 18	18 1.825 mm	1	1	-	1.725	50
Line 22	22 2.245 mm	1	1	-	2.125	50
Line 28	28 2.810 mm	1	1	-	2.710	50
Line 32	14+18 3.230 mm	1	3	1.5m		50
Line 37	18+18 3.650 mm	1	3	2m		50
Line 42	28+14 4.215 mm	1	3	1.5m		50
Line 46	28+18 4.635 mm	1	3	1.5m		50
Line 50	28+22 5.055 mm	1	3	1.5m		50
Line 56	28+28 5.620 mm	1	3	1.5m		50

## COMPLEMENTS CODES

### SURFACE VERSION



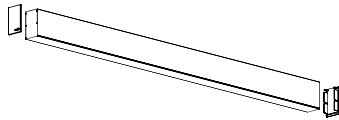
**Interior Joint NO-DIM**  
1.5Meters LNEUXNXXELUN1  
2.0Meters LNEUXNXXELUN2



**Interior Joint DIM**  
1.5Meters LNEUXDXXELUD1  
2.0Meters LNEUXDXXELUD2

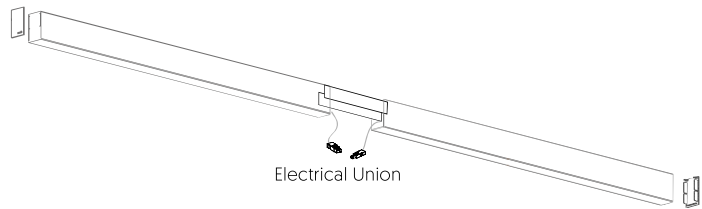
### SINGLE VERSION

Line 07 - 14 - 18 - 22 - 28



### CONTINUOUS VERSION

Line 32 - 37 - 42 - 46 - 50 - 56

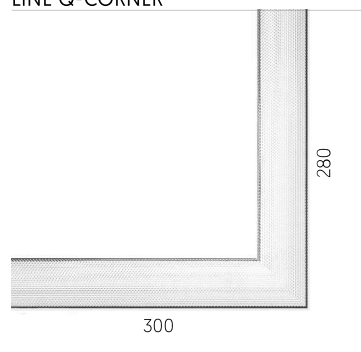


### GUÍA COMPLEMENTOS/ COMPLEMENTS GUIDE

Ref.		Lenght (L)	Ele. Union
Line 07	[07]	710 mm	-
Line 11	[11]	1.135 mm	-
Line 14	[14]	1.415 mm	-
Line 18	[18]	1.835 mm	-
Line 22	[22]	2.255 mm	-
Line 28	[28]	2820 mm	-
Line 32	[14+18]	3.240 mm	1.5m
Line 37	[18+18]	3.660 mm	2m
Line 42	[28+14]	4.225 mm	1.5m
Line 46	[28+18]	4.645 mm	1.5m
Line 50	[28+22]	5.065 mm	1.5m
Line 56	[28+28]	5.630 mm	1.5m

## ACCESSORIES

### LINE Q-CORNER



≈ 10W >1.660lm CRI>85

LED 230V IP20 INT 60.000h L80 McAdam C3

+ No - Dim  
 + Dim - Push  
 + Dim - Dali  
 + 3000K  
 + 4000K  
 + Ice Difusser  
 + Satin White  
 + Satin Black

LNQX A10 N F D 3 4 X A WS BS