



MAGIC 48V SYSTEM

by



The MAGIC 48V system represents the next generation in architectural lighting solutions: a low-voltage [48V] system that combines creative freedom, minimalist aesthetics and advanced functionality.

Its main advantage is total installation flexibility: luminaires can be easily positioned, moved or replaced along the profile, dynamically adapting to changes in space or project needs. The profile, common to all configurations, can be installed recessed, surface mounted or suspended, making it an ideal solution for both residential and commercial environments.

With MAGIC 48V, design and technology come together to offer an intuitive, immersive and fully customisable lighting experience.

El sistema MAGIC 48V representa la nueva generación en soluciones de iluminación arquitectónica: un sistema de bajo voltaje [48V] que combina libertad creativa, estética minimalista y funcionalidad avanzada.

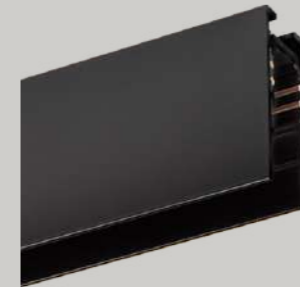
Su principal ventaja es la flexibilidad total de instalación: las luminarias pueden colocarse, desplazarse o reemplazarse fácilmente a lo largo del perfil, adaptándose dinámicamente a los cambios en el espacio o en las necesidades del proyecto. El perfil, común para todas las configuraciones, puede instalarse de forma empotrada, en superficie o suspendida, lo que lo convierte en una solución ideal tanto para entornos residenciales como comerciales.

Con MAGIC 48V, diseño y tecnología se unen para ofrecer una experiencia de iluminación intuitiva, envolvente y completamente personalizable.

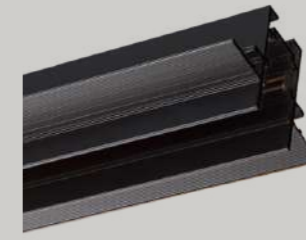


MAGIC 48V PROFILES

1 Profile



Surface or Pendant



Frameless

2 Light modules



MAGIC ROLER S



MAGIC ROLER M



MAGIC LUPPA



MAGIC TUBE 25



MAGIC BELL Ø260



MAGIC BALO 90



MAGIC GRID S

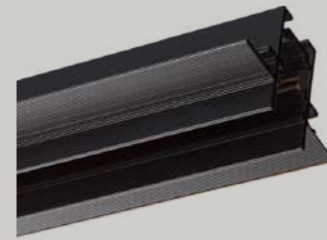


MAGIC GRID M

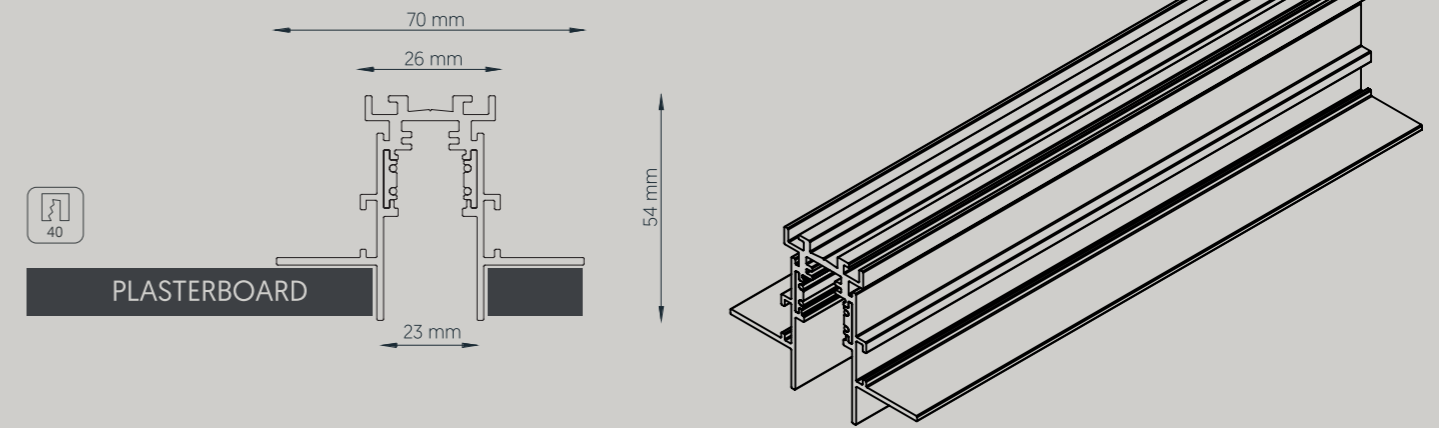




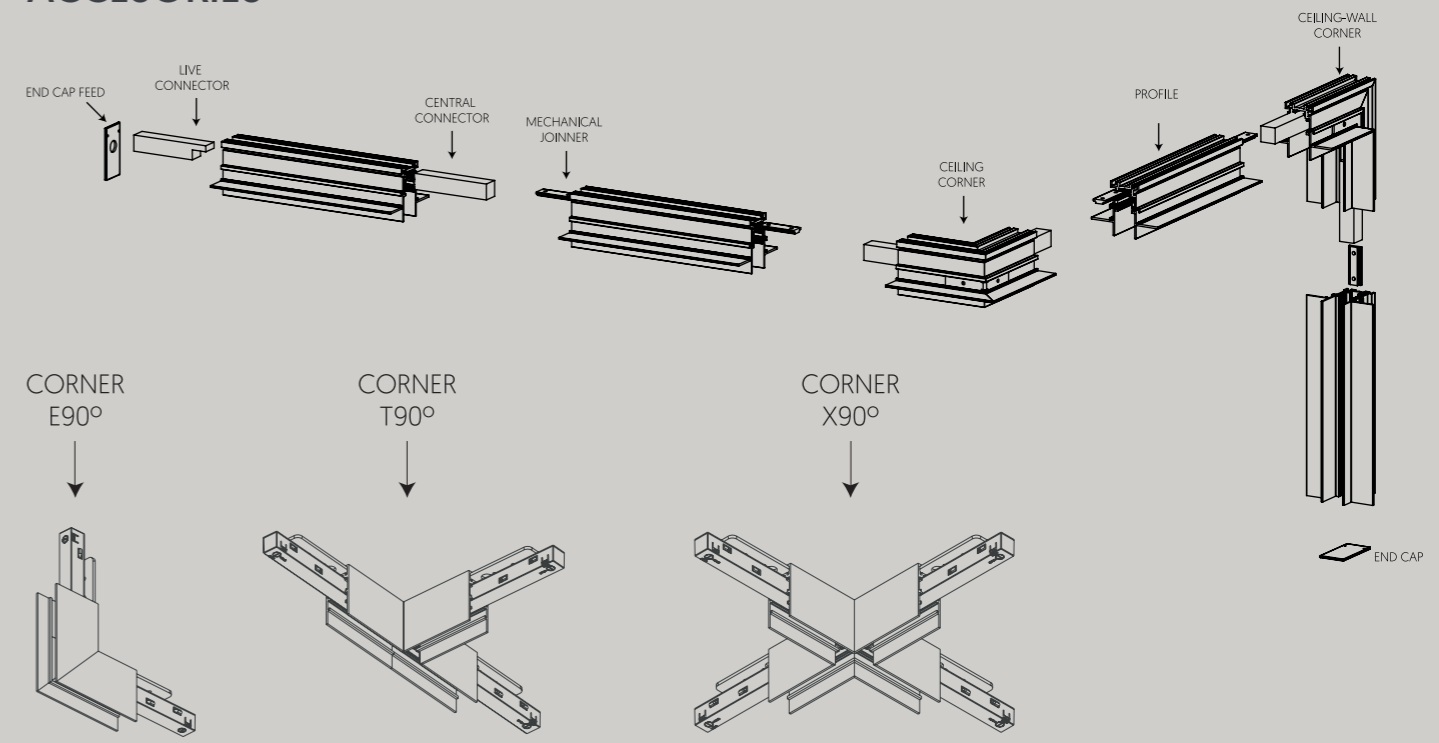
FRAMELESS TRACK



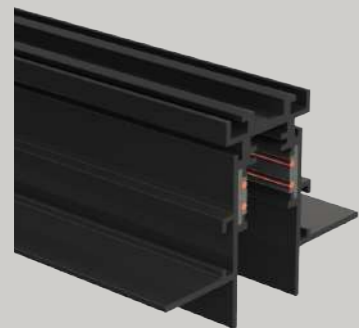
PROFILE DIMENSIONS



ACCESORIES

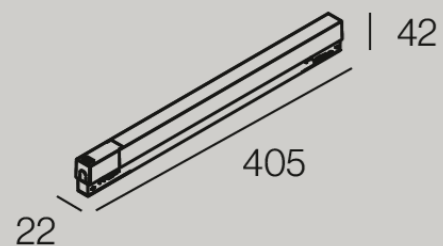


FRAMELESS TRACK



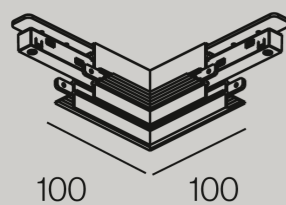
Track Frameless 2m	48V	MGSY C XX N X 2 R BX/WX	} BX-Black WX-White
Track Frameless 2m	48V	MGSY C XX D X 2 R BX/WX	
Track Frameless 2m	48V	MGSY C XX K X 2 R BX/WX	

The same profile is compatible for No-Dim(N), Dali(D) and Casambi(K).



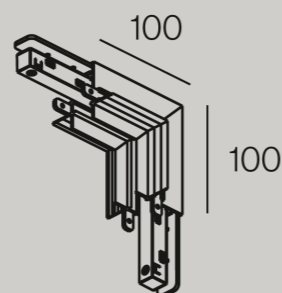
INSERT POWER

MGSY F XX N X X N BX/WX	} BX-Black WX-White
MGSY F XX D X X N BX/WX	
MGSY F XX K X X N BX/WX	



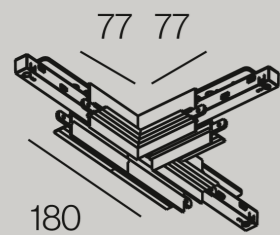
CORNER E90

MGSY L XX N X X R BX/WX
MGSY L XX D X X R BX/WX
MGSY L XX K X X R BX/WX



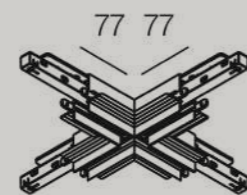
CORNER V90

MGSY E XX N X X R BX/WX
MGSY E XX D X X R BX/WX
MGSY E XX K X X R BX/WX



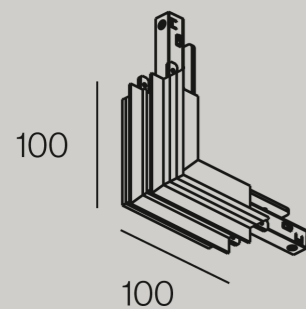
CORNER T90

MGSY T XX N X X R BX/WX
MGSY T XX D X X R BX/WX
MGSY T XX K X X R BX/WX



CORNER X90

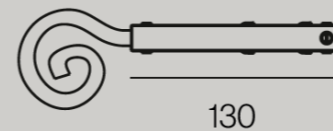
MGSY X XX N X X R BX/WX
MGSY X XX D X X R BX/WX
MGSY X XX K X X R BX/WX



CORNER H90

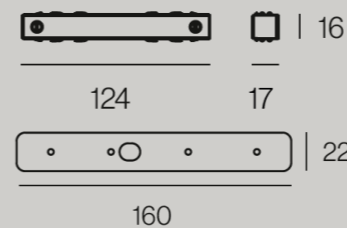
MGSY P XX N X X R BX/WX
MGSY P XX D X X R BX/WX
MGSY P XX K X X R BX/WX

TRACK 48V - FRAMELESS ACCESSORIES



RAIL FEEDER

MGSY A XX N X X N BX/WX
MGSY A XX D X X N BX/WX
MGSY A XX K X X N BX/WX



I CONNECTOR

MGSY J XX N X X N BX/WX
MGSY J XX D X X N BX/WX
MGSY J XX K X X N BX/WX



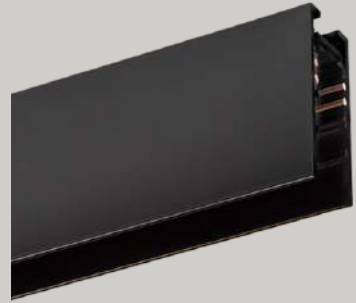
END CAP

MGSY Q XX N X X N BX/WX

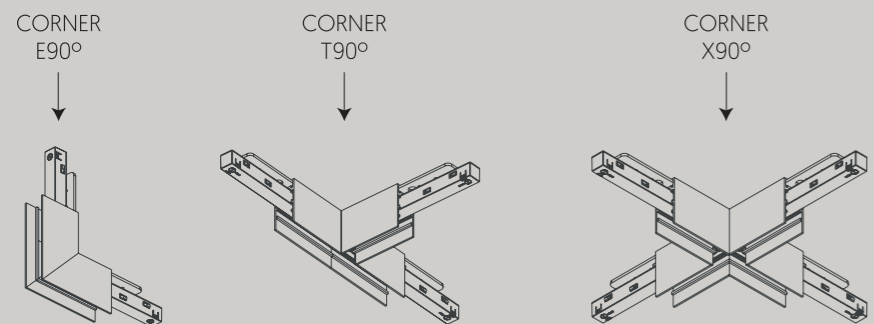
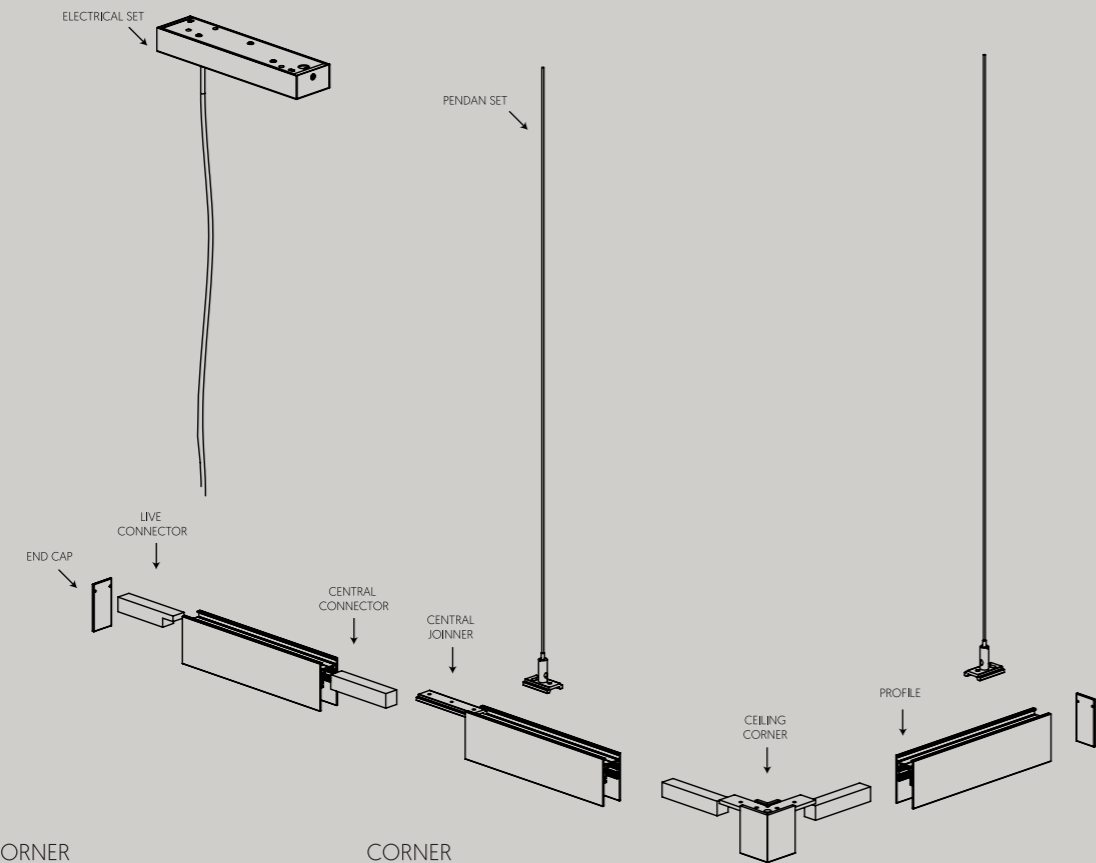
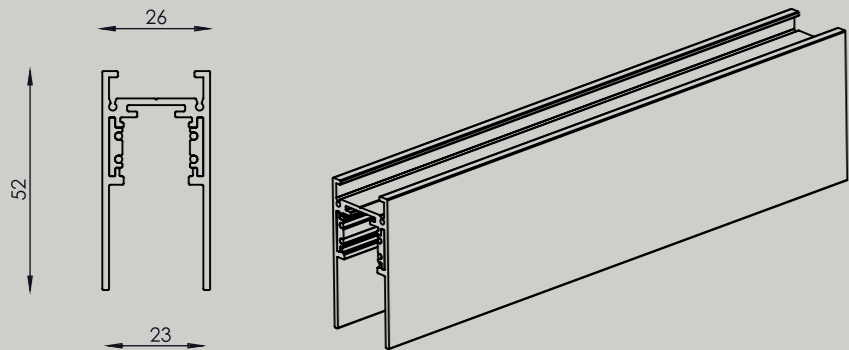




PENDANT



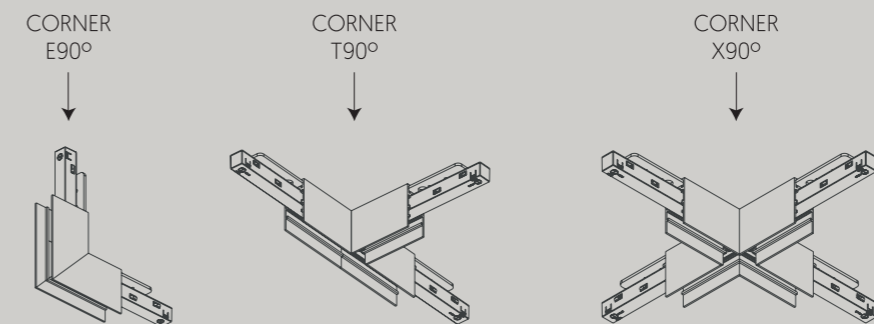
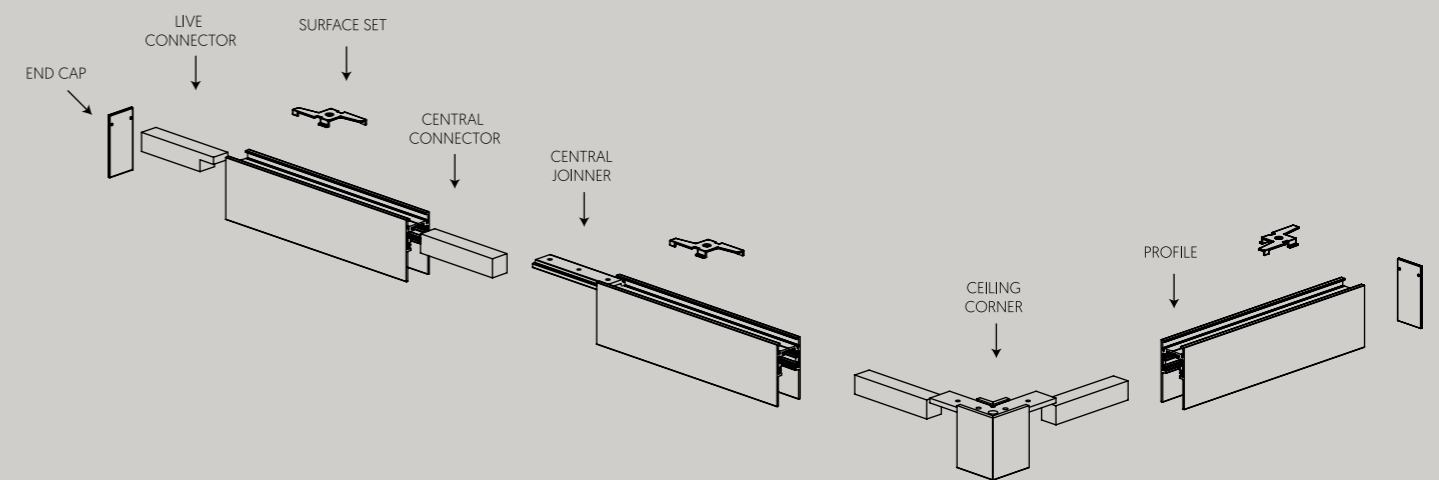
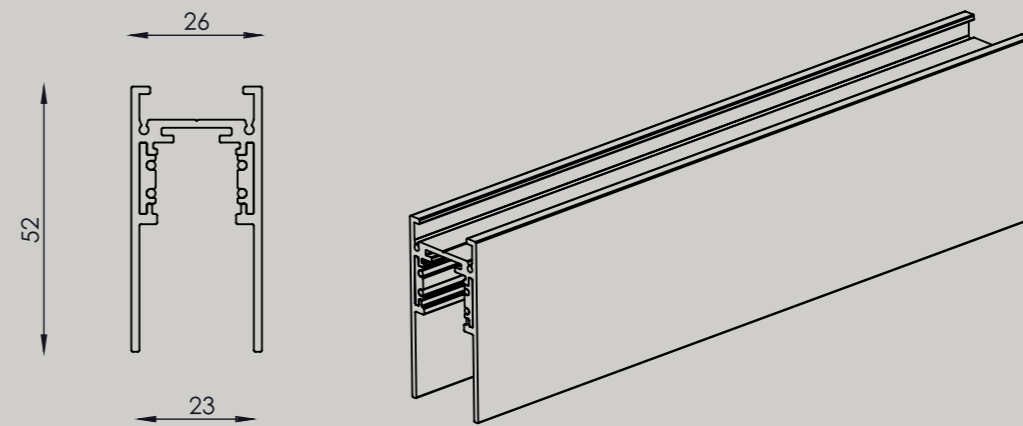
PROFILE DIMENSIONS



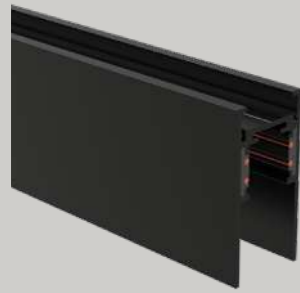
SURFACE



PROFILE DIMENSIONS



SURFACE OR PENDANT



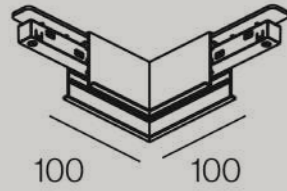
Track Surface 2m	48V	MGSY C XX N X 2 S BX/WX	} BX-Black WX-White
Track Surface 2m	48V	MGSY C XX D X 2 S BX/WX	
Track Surface 2m	48V	MGSY C XX K X 2 S BX/WX	
Track Surface 3m	48V	MGSY C XX N X 3 S BX/WX	
Track Surface 3m	48V	MGSY C XX D X 3 S BX/WX	
Track Surface 3m	48V	MGSY C XX K X 3 S BX/WX	

The same profile is compatible for No-Dim[N], Dali[D] and Casambi[K].



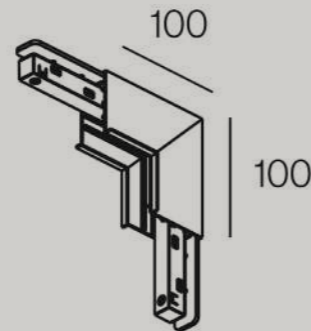
INSERT POWER

MGSY F XX N X X N BX/WX	} BX-Black WX-White
MGSY F XX D X X N BX/WX	
MGSY F XX K X X N BX/WX	



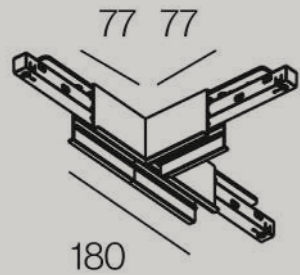
CORNER E90

MGSY L XX N X X S BX/WX
MGSY L XX D X X S BX/WX
MGSY L XX K X X S BX/WX



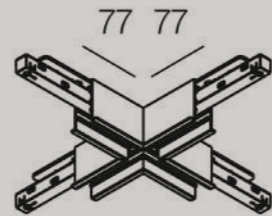
CORNER V90

MGSY E XX N X X S BX/WX
MGSY E XX D X X S BX/WX
MGSY E XX K X X S BX/WX



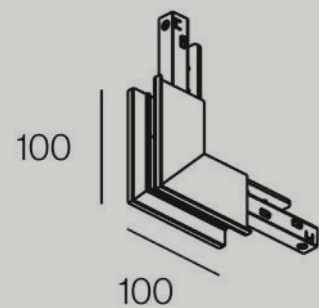
CORNER T90

MGSY T XX N X X S BX/WX
MGSY T XX D X X S BX/WX
MGSY T XX K X X S BX/WX



CORNER X90

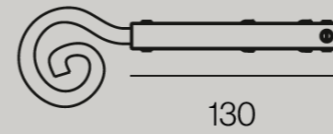
MGSY X XX N X X S BX/WX
MGSY X XX D X X S BX/WX
MGSY X XX K X X S BX/WX



CORNER H90

MGSY P XX N X X S BX/WX
MGSY P XX D X X S BX/WX
MGSY P XX K X X S BX/WX

TRACK 48V - SURFACE OR PENDANT



RAIL FEEDER

MGSY A XX N X X N BX/WX
MGSY A XX D X X N BX/WX
MGSY A XX K X X N BX/WX



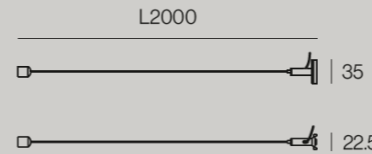
I CONNECTOR

MGSY J XX N X X N BX/WX
MGSY J XX D X X N BX/WX
MGSY J XX K X X N BX/WX



END CAP

MGSY Q XX N X X N BX/WX



PENDANT KIT

MGSY K XX N X X N BX

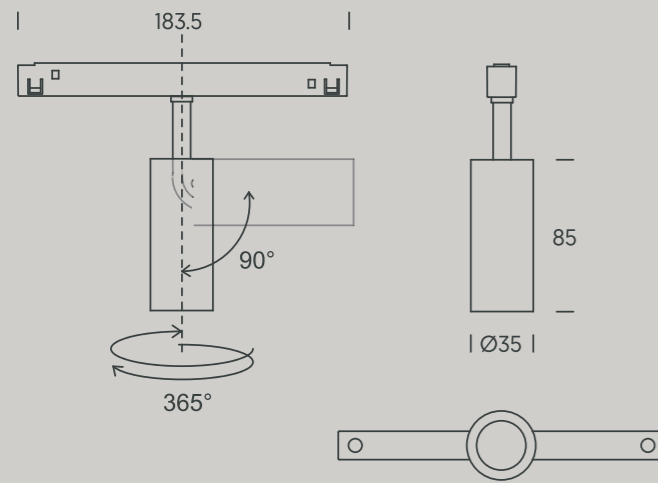






MAGIC ROLER S MAGIC SYSTEM

TEC. DRAWINGS



SPECIFICATIONS

Qualities

- LED
- 48V
- IP20
- 35.000h
- McAdam C2

Led Colour

- 2.7K
- 3K

Regulation

- NO DIM
- DALI

Beam Angle

- 20°
- 36°

Finish

- Black
- White

Diffuser

- Clear

Manufacture - Installation

- CE
- 850°

LIGHT SOURCE

	W	mA	TEMP	LUM	CRI
			2.700K	784	
ROLER S	8W	200	3.000K	840	>90
			4.000K	856	

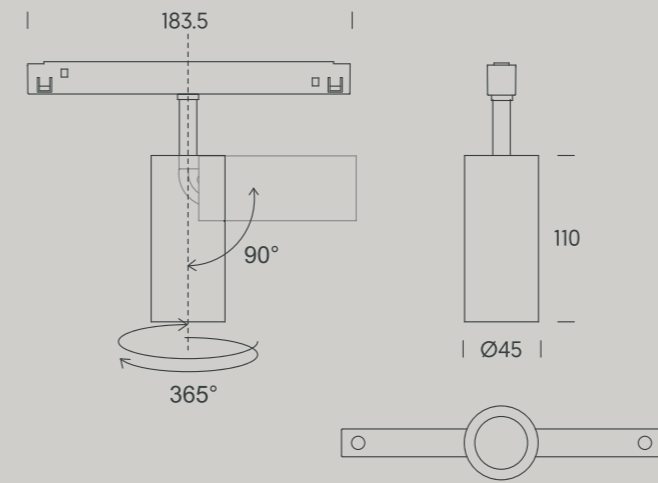
REFERENCE CODE

CODE BASE MSRS + **Technology** A Led + **Power** 08 87lmW + **LED Control** N NoDim + **LED Colour** 2 2700K + **Beam angle** 2 20° + **Difusser** B Clear + **Finishes** BS Black
 D Dali 3 3000K 3 36° WB White
 K Casambi



MAGIC ROLER M MAGIC SYSTEM

TEC. DRAWINGS



SPECIFICATIONS

Qualities

- LED
- 48V
- IP20
- 35.000h
- McAdam C2

Led Colour

- 2.7K
- 3K

Regulation

- NO DIM
- DALI

Beam Angle

- 18°
- 36°

Finish

- Black
- White

Diffuser

- Clear

Manufacture - Installation

- CE
- 850°

LIGHT SOURCE

	W	mA	TEMP	LUM	CRI
			2.700K	1176	
ROLER M	12W	300	3.000K	1260	>90
			4.000K	1320	

REFERENCE CODE

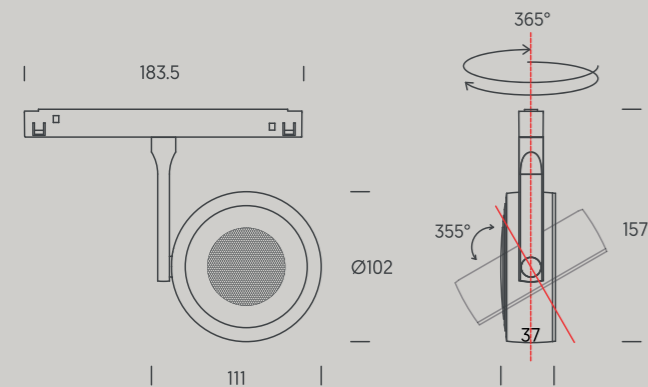
CODE BASE MSRM + **Technology** A Led + **Power** 12 83lmW + **LED Control** N NoDim + **LED Colour** 2 2700K + **Beam angle** 1 18° + **Difusser** B Clear + **Finishes** BS Black
 D Dali 3 3000K 3 36° WB White
 K Casambi





MAGIC LUPPA MAGIC SYSTEM

TEC. DRAWINGS



SPECIFICATIONS

Qualities

LED 48V IP20 McAdam C2

Led Colour

2.7K 3K

Regulation

NO DIM DALI

Beam Angle

20° 36°

Finish

Diffuser

Manufacture - Installation

CE

LIGHT SOURCE

	W	mA	TEMP	LUM	CRI
			2.700K	2640	
LUPPA	20W	500	3.000K	2760	>90
			4.000K	2920	

REFERENCE CODE

CODE BASE Technology Power LED Control LED Colour Beam angle Difusser Finishes

MSLP + A Led + 20 110lmW + N NoDim + 2 2700K + 1 15° + B Clear + BS Black

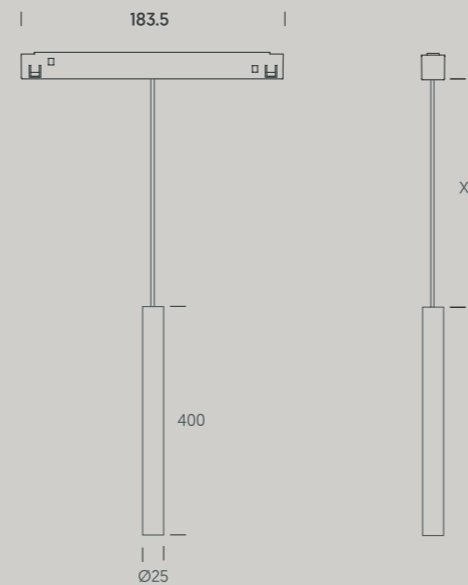
D Dali 3 3000K 3 38° WX White

K Casambi



MAGIC TUBE 25 MAGIC SYSTEM

TEC. DRAWINGS



SPECIFICATIONS

Qualities

LED 48V IP20 McAdam C2

Led Colour

2.7K 3K

Regulation

NO DIM DALI

Beam Angle

24°

Finish

Diffuser

Manufacture - Installation

CE

LIGHT SOURCE

	W	mA	TEMP	LUM	CRI
			2.700K	596	
TUBE 25	4W	450	3.000K	608	>90
			4.000K	640	

REFERENCE CODE

CODE BASE Technology Power LED Control LED Colour Beam angle Difusser Finishes

MST2 + A Led + 05 121lmW + N NoDim + 2 2700K + 2 24° + B Clear + BS Black

D Dali 3 3000K WX White

K Casambi



