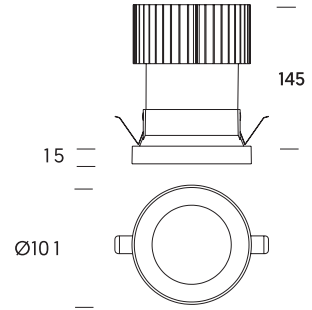


RINGO 2

RECESSEDS

IP54 EXT



85°

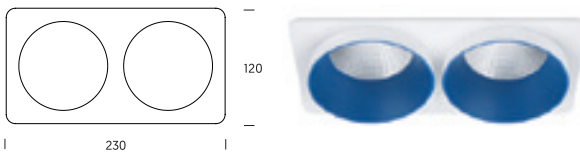
170 ϕ Ø95

RINGO 2

LED		≈ 8W	> 1200lm	RNG2 A 10
		≈ 18W	> 2400lm	RNG2 A 20
		≈ 24W	> 3200lm	RNG2 A 30

W	mA	TEMP	LUM	CRI
8,7	350	3.000°K	1.285	>85
8,7	350	4.000°K	1.335	>85
18,1	700	3.000°K	2.435	>85
18,1	700	4.000°K	2.530	>85
24,3	700	3.000°K	3.210	>85
24,3	700	4.000°K	3.310	>85

McAdam C3 · >44.000 h. L90 · >69.000 h. L80 · >79.000 h. L70



210x114

Special accessory ringO 02-2

RNG2 X XX X X X X ..

COLOURS

WS	WS	Satin White	RNG2	X	XX	X	X	X	X	WS
BS	BS	Satin Black	RNG2	X	XX	X	X	X	X	BS

LED CONTROL

	N	No Dimmable	RNG2	A	..	N
	F	Dimmable 1-10V / Push	RNG2	A	..	F
	D	Dimmable Dali	RNG2	A	..	D

LED COLOUR TEMPERATURE

3K	3	3000° K	RNG2	A	3
4K	4	4000° K	RNG2	A	4

LED BEAM ANGLE

	2	Spot	RNG2	A	2
	3	Medium	RNG2	A	3
	6	Flood	RNG2	A	6

LED COMPLEMENTS

	B	Clear Difusser	RNG2	A	B	..
	A	Ice Difusser	RNG2	A	A	..
	C	Prismatic Difusser	RNG2	A	C	..

COLOURS

WS	WS	Satin White	RNG2	A	WS
BS	BS	Satin Black	RNG2	A	BS
WG	WG	Satin White + Gold	RNG2	A	WG
BG	BG	Satin Black + Gold	RNG2	A	BG
BW	BW*	Satin Black + Satin White	RNG2	A	BW*
WA	WA*	Satin White + Blue	RNG2	A	WA*
BR	BR*	Satin Black + Orange	RNG2	A	BR*

*Optional, please consult