

TINY

48V

SYS-

TEM





TINY 48V

onoklighting.com/visualizador-tiny-48v

Tiny 48V by Onok, our smallest profile with 48V power supply and luminaires of reduced dimensions. Designed to focus, highlight and create unique atmospheree within a room. The special dimensions of the entire family make the light take centre stage in the space.

Tiny 48V by Onok in its different combinations, such as Tube 48V, Micro Line or fixed and adjustable projector, together with its minimalist design, allows to highlight elements of the space, give them prominence, and create unique atmospheres.

Tiny 48V de Onok, nuestro perfil más pequeño con alimentación a 48V y luminarias de reducidas dimensiones. Diseñado para focalizar, resaltar y crear ambientes únicos dentro de una estancia. Las dimensiones especiales de la familia al completo hacen que la luz adquiera el protagonismo en el espacio.

Tiny 48V de Onok en sus distintas combinaciones, como Tube 48V, Micro Line o proyectores fijos y orientables permite, junto con su diseño minimalista, destacar elementos del espacio, conferirles protagonismo y crear ambientes únicos.



TINY PROFILES



Tiny Pendant Profile



Tiny Surface Profile

TINY LIGHT MODULES



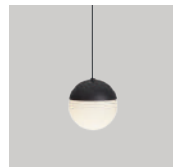
Tiny Micro Line 48V



Tiny Tube 25 48V



Tiny Balo 60 48V



Tiny Balo Pendant
60 / 90 48V



Tiny Focus 15 48V



Tiny Focus 25 48V



Tiny Focus 40 48V

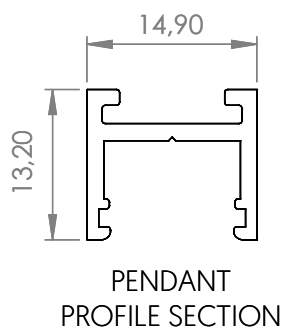
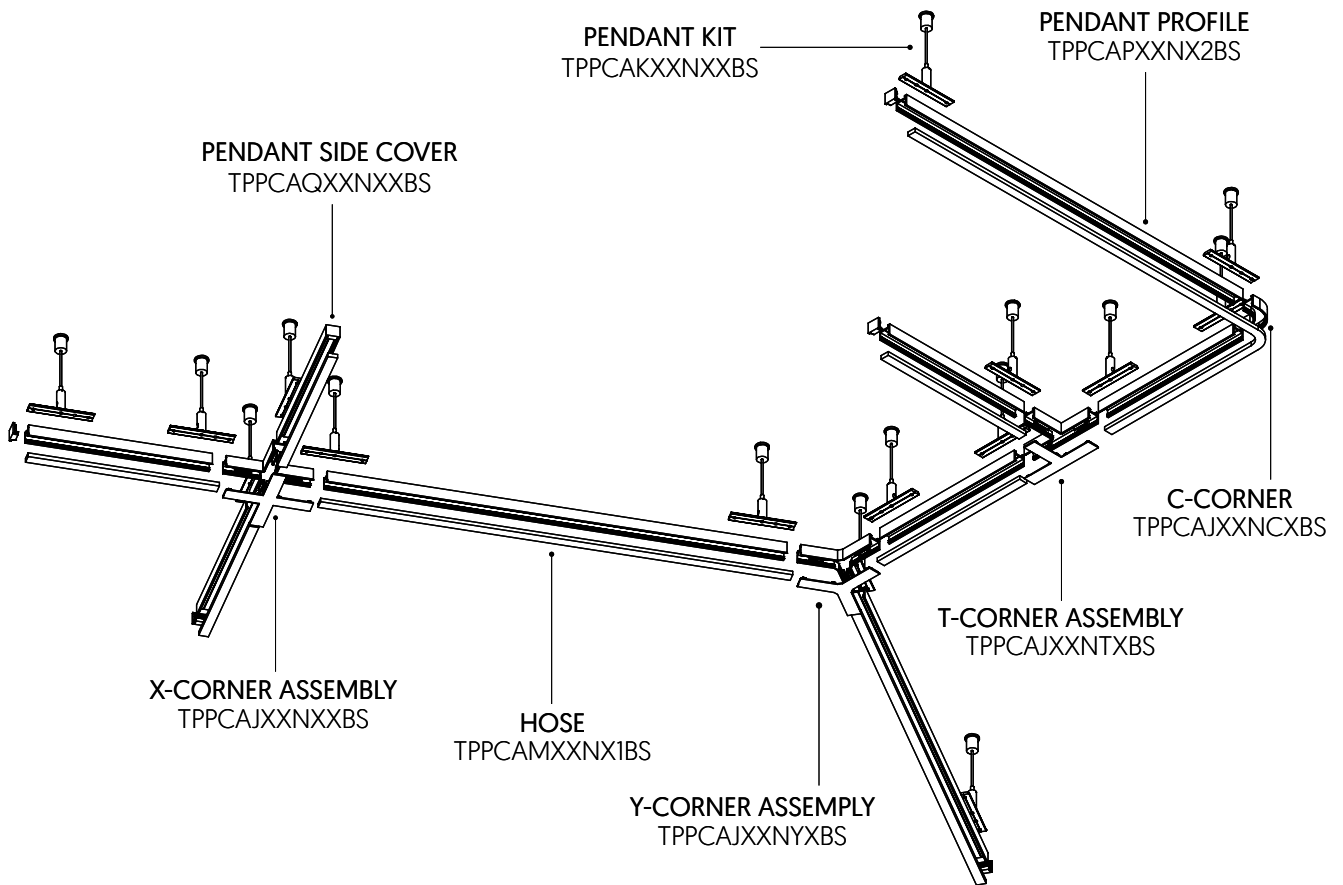


Tiny Spot 48V



Tiny Tao 48V

TINY 48V PENDANT

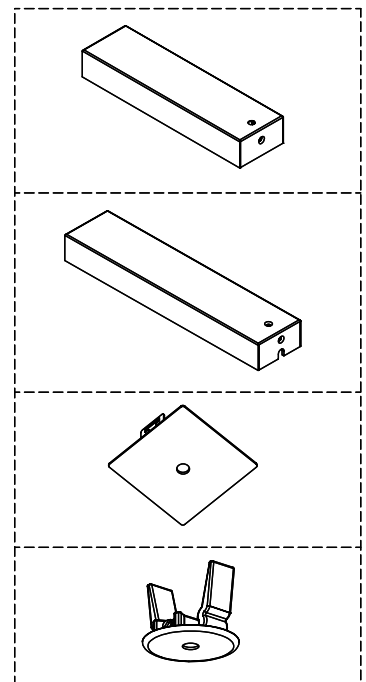


PENDANT CANOPY
 CTINY00000024

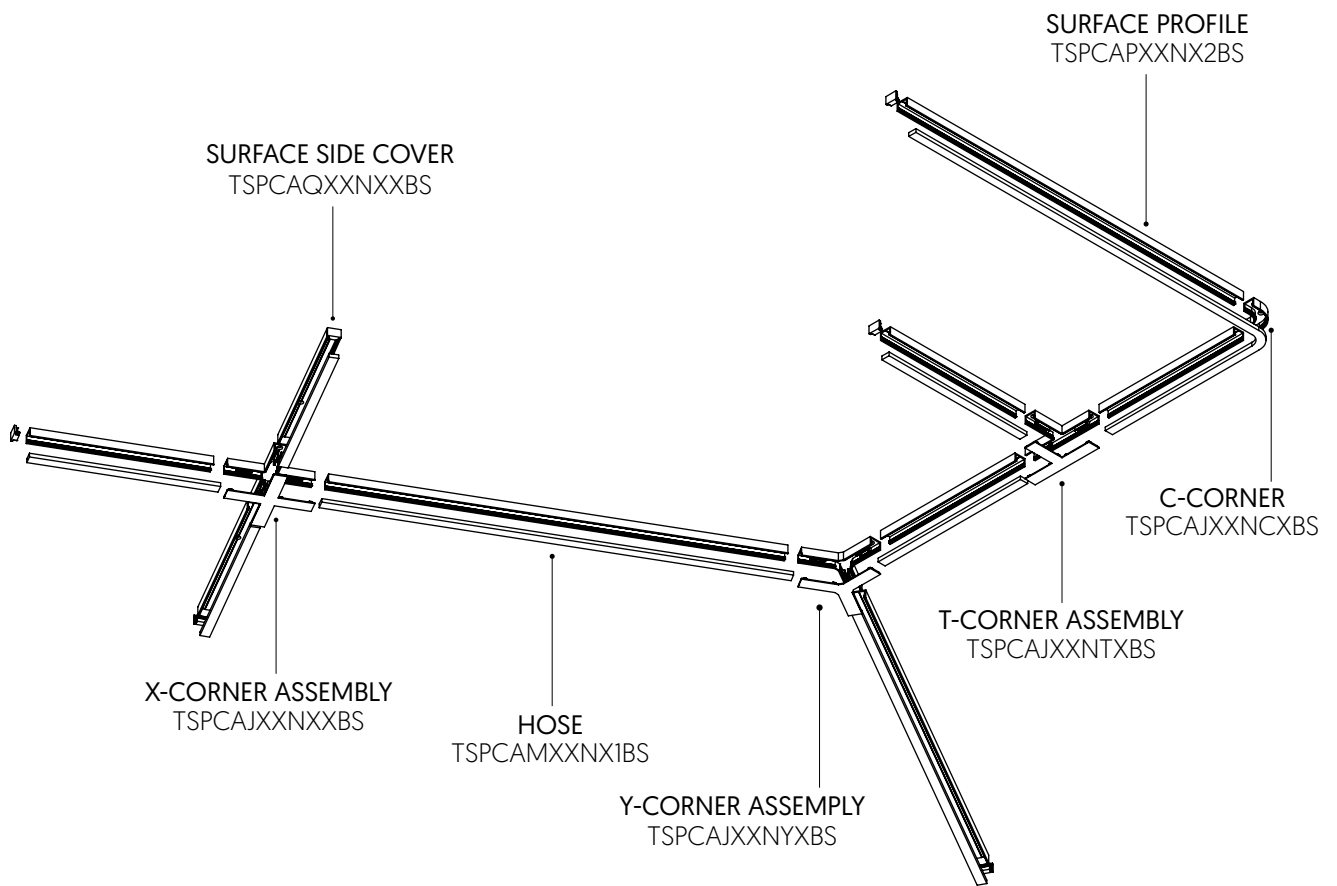
CONTROLLE CANOPY
 CTINY00000050

RECESSED CANOPY
 CTINY00000026

REGISTER CANOPY
 CMICRO00057NE



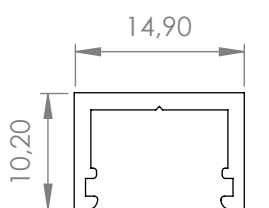
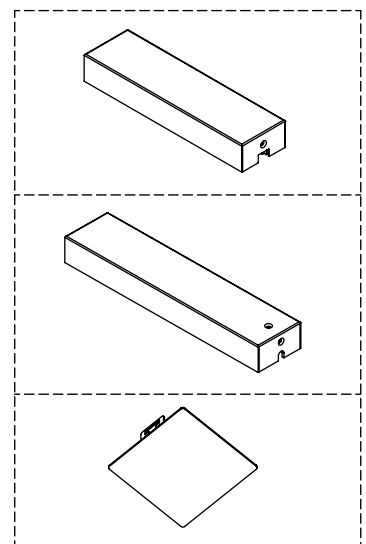
TINY 48V SURFACE



SURFACE CANOPY
CTINY00000022

CONTROLLE CANOPY
CTINY00000050

RECESSED CANOPY
CTINY00000026

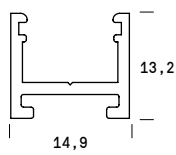


SURFACE PROFILE SECTION



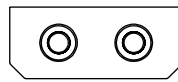
TINY PENDANT COMPLEMENTS

PENDANT PROFILE 48V - 2M



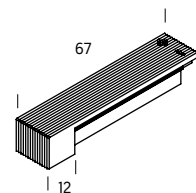
TPPCAPXXNX2BS
Black

HOSE TINY 48V - 1M



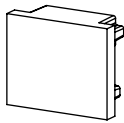
TPPCAMXXNX1BS
Per metre

POWER KIT PENDANT 48V



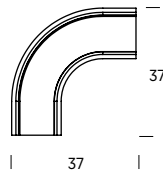
TPPCAAXXXNXBS
Black

SURFACE SIDE COVER 48V



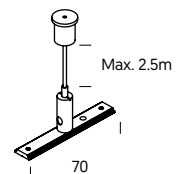
TPPCAQXXNXBS
Black

C-CORNER PENDANT 48V



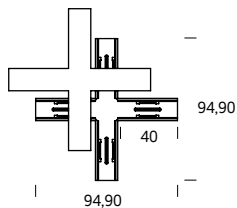
TPPCAJXXNCXBS
Black

PENDANT KIT 48V



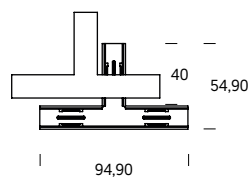
TPPCAAXXXNXBS

X-CORNER SET PENDANT 48V



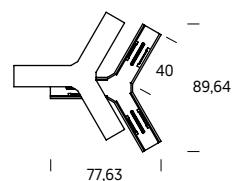
TPPCAJXXNXBS
Black

T-CORNER SET PENDANT 48V



TPPCAJXXNTXBS
Black

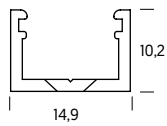
Y-CORNER SET PENDANT 48V



TPPCAJXXNYBS
Black

TINY SURFACE COMPLEMENTS

SURFACE PROFILE 48V - 2M



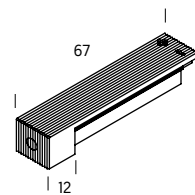
TSPCAPXXNX2BS
Black

HOSE TINY 48V - 1M



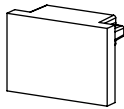
TSPCAMXXNX1BS
Per metre

POWER KIT SURFACE 48V



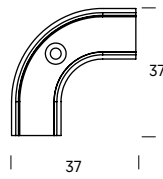
TSPCAAXXXNXBS
Black

SURFACE SIDE COVER 48V



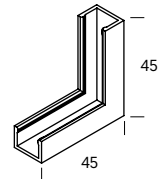
TSPCAQXXNXBS
Black

C-CORNER SURFACE 48V



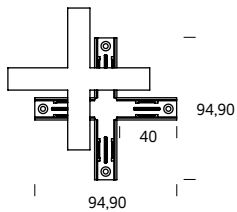
TSPCAJXXNCXBS
Black

WALL CORNER SURFACE 48V



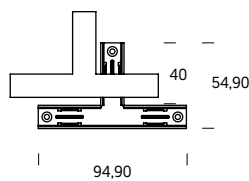
TSPCAJXXNLXBS
Black

X-CORNER SET SURFACE 48V



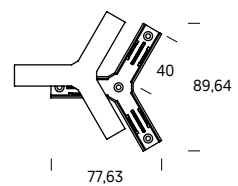
TSPCAJXXNXBS
Black

T-CORNER SET SURFACE 48V



TSPCAJXXNTXBS
Black

Y-CORNER SET SURFACE 48V



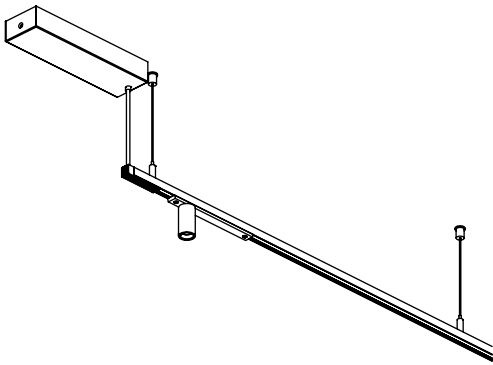
TSPCAJXXNYXBS
Black



TINY INSTALLATION

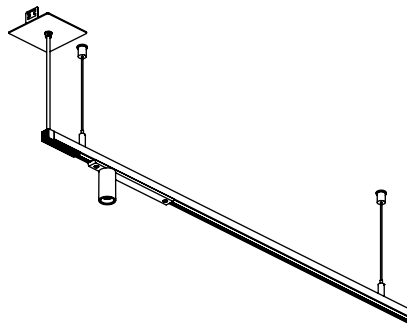
TINY 48V PENDANT

SURFACE



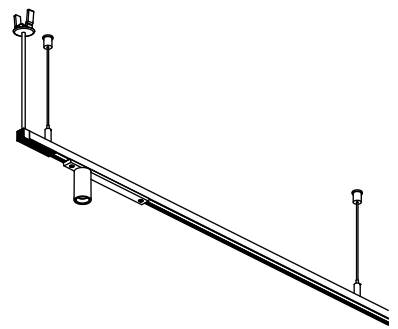
TINSAP___XSBS

RECESSED



TINSAP___XRBS

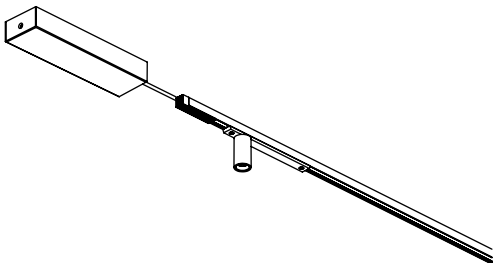
REGISTER



TINSAP___XGBS

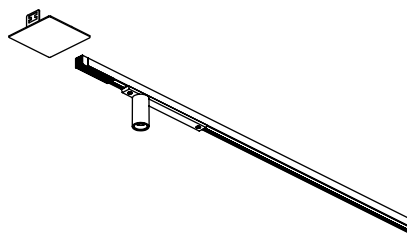
TINY 48V SURFACE

SURFACE



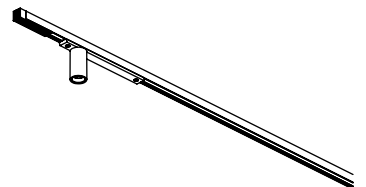
TINSAS___XSBS

RECESSED



TINSAS___XRBS

REGISTER

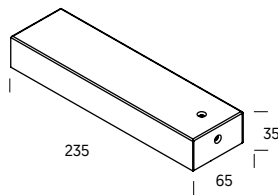


TINSAS___XGBS

TINY INSTALLATION COMPLEMENTS

CANOPY

PENDANT CANOPY 48V



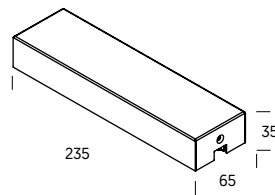
CTINY00000024

Black

For pendant versions

Power supply not included

SURFACE CANOPY 48V



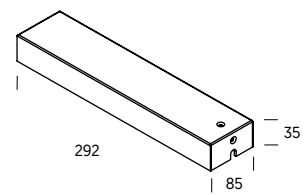
CTINY00000022

Black

For surface versions

Power supply not included

BIG CANOPY 48V



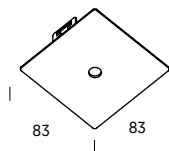
CTINY00000050

Black

For pendant and surface versions

Power supply and controller not included

RECESSED CANOPY 48V

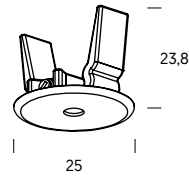


CTINY00000026

Black

Power supply not included

REGISTER CANOPY 48V



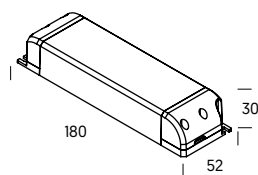
CMICRO00057NE

Black

Power supply not included

POWER SUPPLY

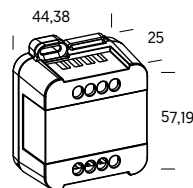
DRIVER 75W NO DIM 48V



CTINY00000029

75W

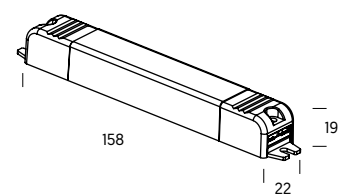
CONTROLLER CASAMBI 48V



CTINY00000030

Controller can regulate max. 576W

CONTROLLER BLU2LIGHT 48V



CTINY00000031

Controller can regulate max. 115W

LUMINAIRES TECHNICAL DATASHEET



MICRO LINE 48V

TINY SYSTEM



SPECIFICATIONS

Qualities



Led Colour



Regulation



Beam Angle



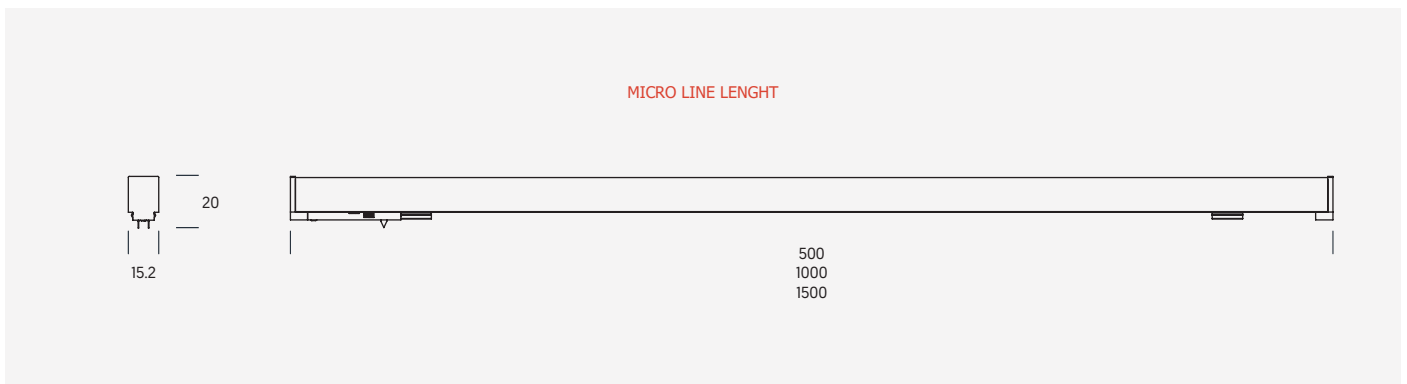
Finish



Diffuser



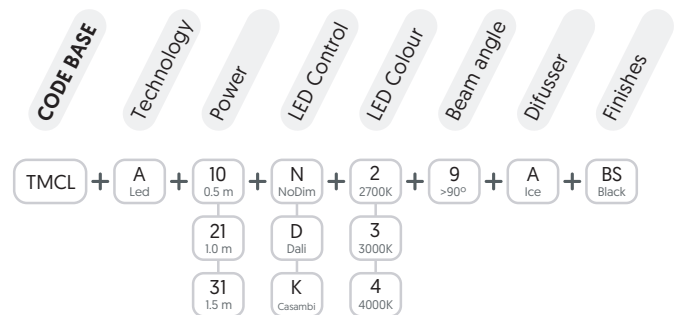
TECHNICAL DRAWINGS



LIGHT SOURCE

	W	V	TEMP	LUM	CRI
MICRO LINE 05	10.5	48V	2.700K	1.120	>85
			3.000K	1.150	
			4.000K	1.180	
MICRO LINE 10	21	48V	2.700K	2.240	>85
			3.000K	2.300	
			4.000K	2.360	
MICRO LINE 15	31.5	48V	2.700K	3.210	>85
			3.000K	3.250	
			4.000K	3.280	

REFERENCE CODE





TUBE 25 48V

TINY SYSTEM



SPECIFICATIONS

Qualities



Led Colour



Regulation



Beam Angle



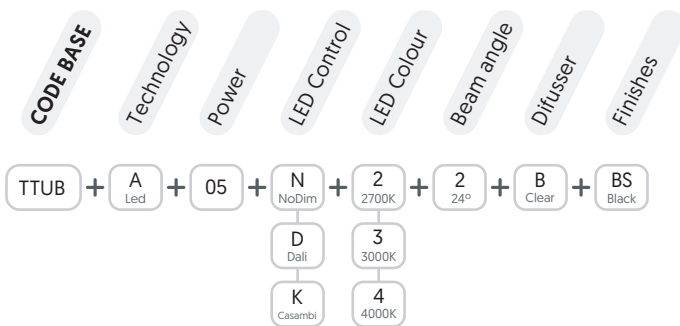
Finish



Diffuser



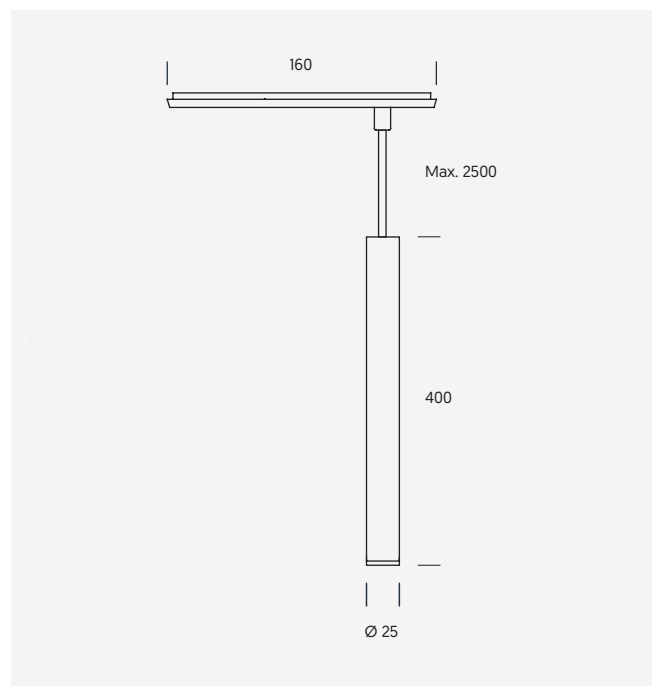
REFERENCE CODE



LIGHT SOURCE

	W	V	TEMP	LUM	CRI
			2.700K	596	
TUBE 25	5.4	48V	3.000K	608	>90
			4.000K	640	

TECHNICAL DRAWINGS







BALO 60 48V

TINY SYSTEM



SPECIFICATIONS

Qualities



Led Colour



Regulation



Beam Angle



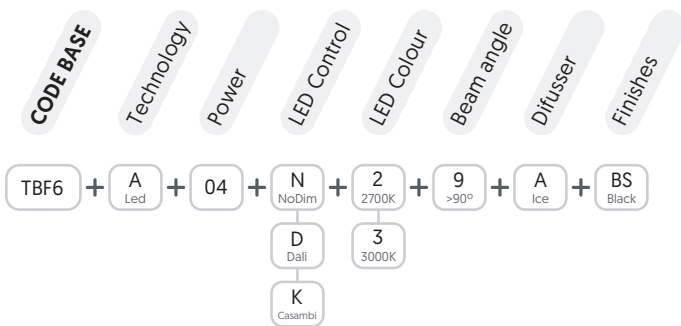
Finish



Diffuser



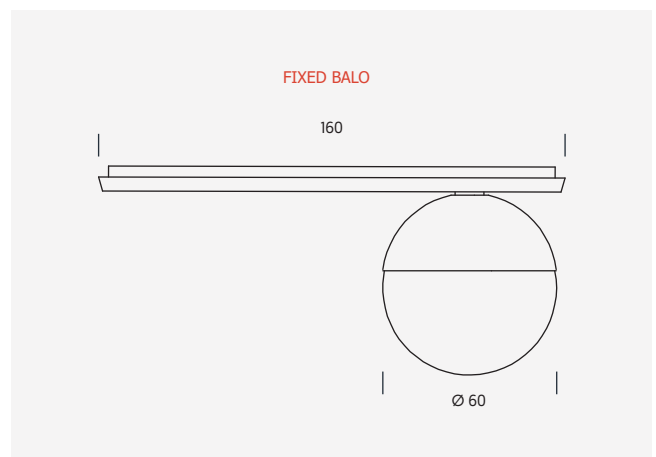
REFERENCE CODE



LIGHT SOURCE

	W	V	TEMP	LUM	CRI
BALO 60	4	48V	2.700K	450	>80
			3.000K	496	

TECHNICAL DRAWINGS





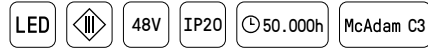
BALO PENDANT 60 / 90 48V

TINY SYSTEM



SPECIFICATIONS

Qualities



Led Colour



Regulation



Beam Angle



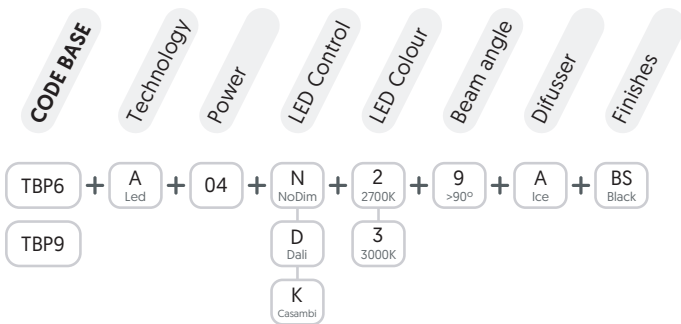
Finish



Diffuser



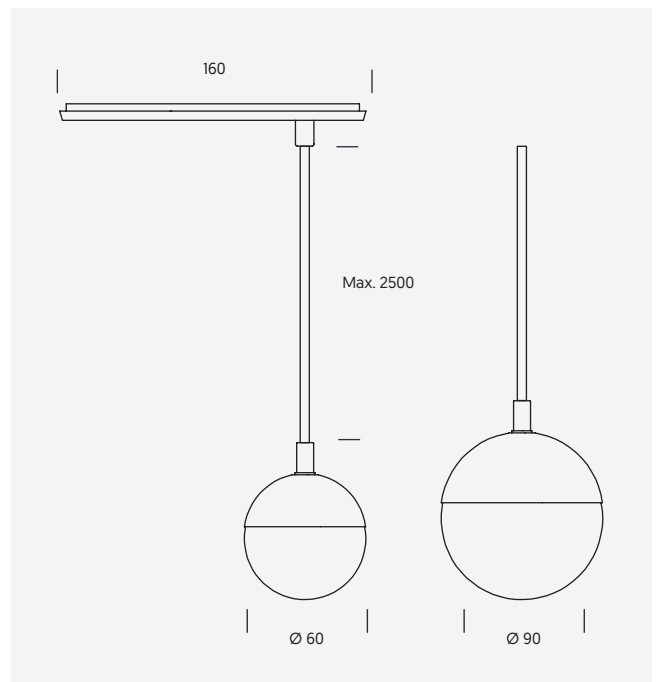
REFERENCE CODE



LIGHT SOURCE

	W	V	TEMP	LUM	CRI
BALO	4	48V	2.700K	450	>80
			3.000K	496	

TECHNICAL DRAWINGS







FOCUS 15 48V

TINY SYSTEM



SPECIFICATIONS

Qualities



Led Colour



Regulation



Beam Angle



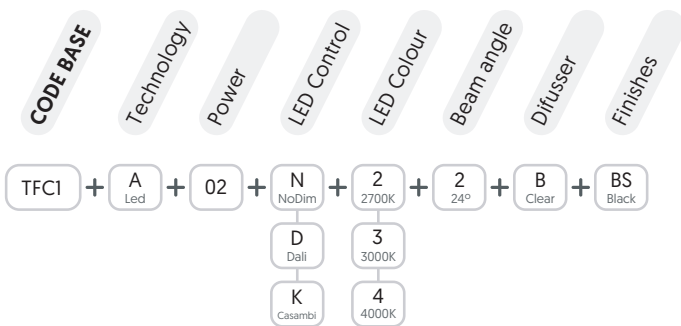
Finish



Diffuser



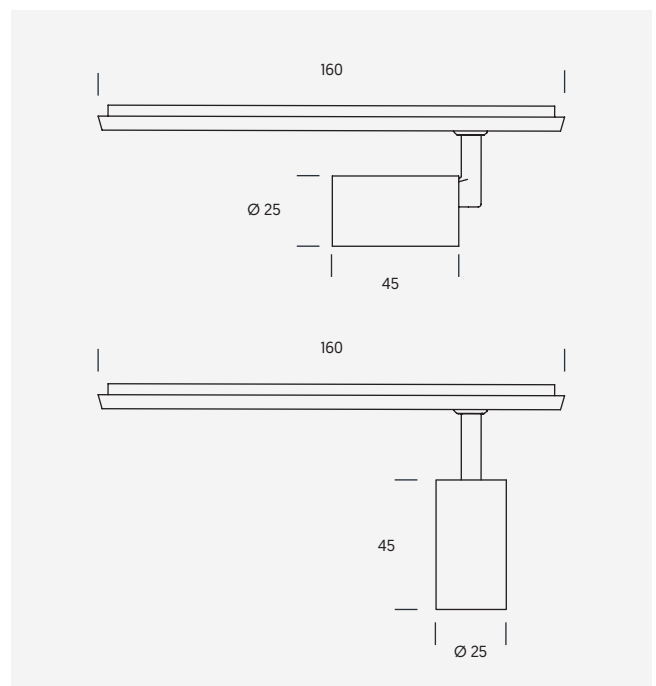
REFERENCE CODE



LIGHT SOURCE

	W	V	TEMP	LUM	CRI
FOCUS 15	2.5	48V	2.700K	258	>90
			3.000K	270	
			4.000K	285	

TECHNICAL DRAWINGS





FOCUS 25 48V

TINY SYSTEM



SPECIFICATIONS

Qualities



Led Colour



Regulation



Beam Angle



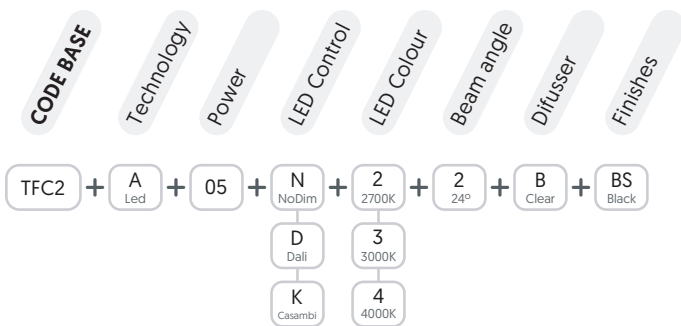
Finish



Diffuser



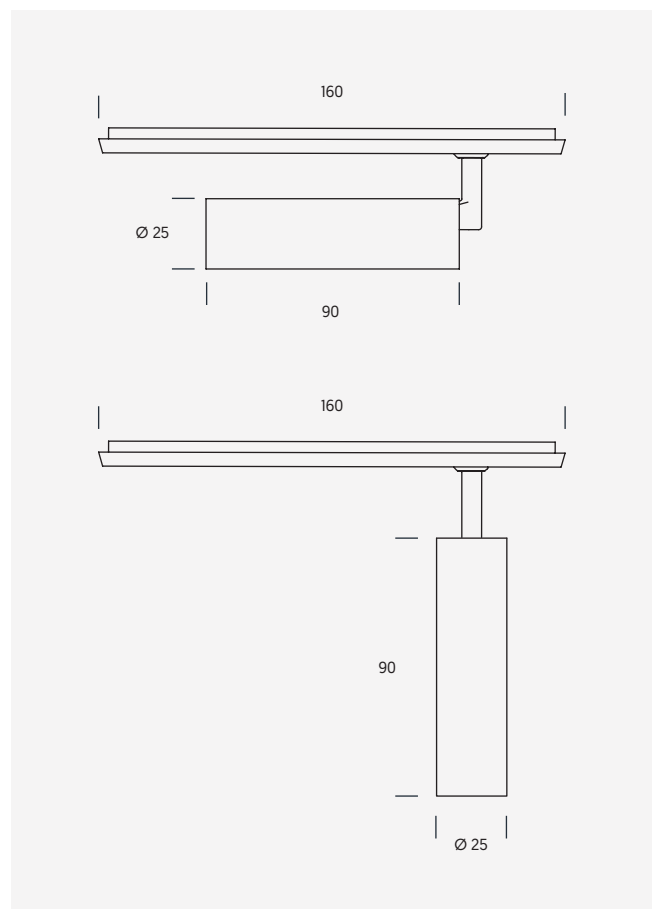
REFERENCE CODE



LIGHT SOURCE

	W	V	TEMP	LUM	CRI
FOCUS 25	5.4	48V	2.700K	559	>90
			3.000K	585	
			4.000K	618	

TECHNICAL DRAWINGS





FOCUS 40 48V

TINY SYSTEM



SPECIFICATIONS

Qualities



Led Colour



Regulation



Beam Angle



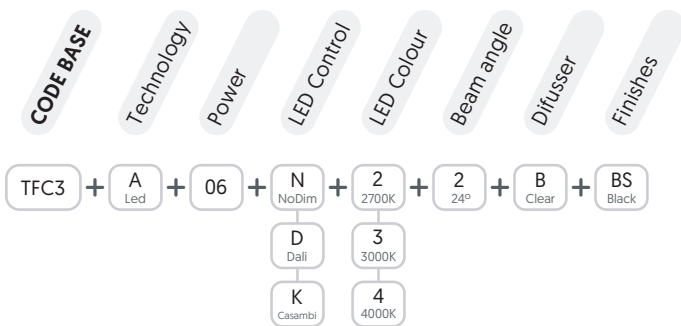
Finish



Diffuser



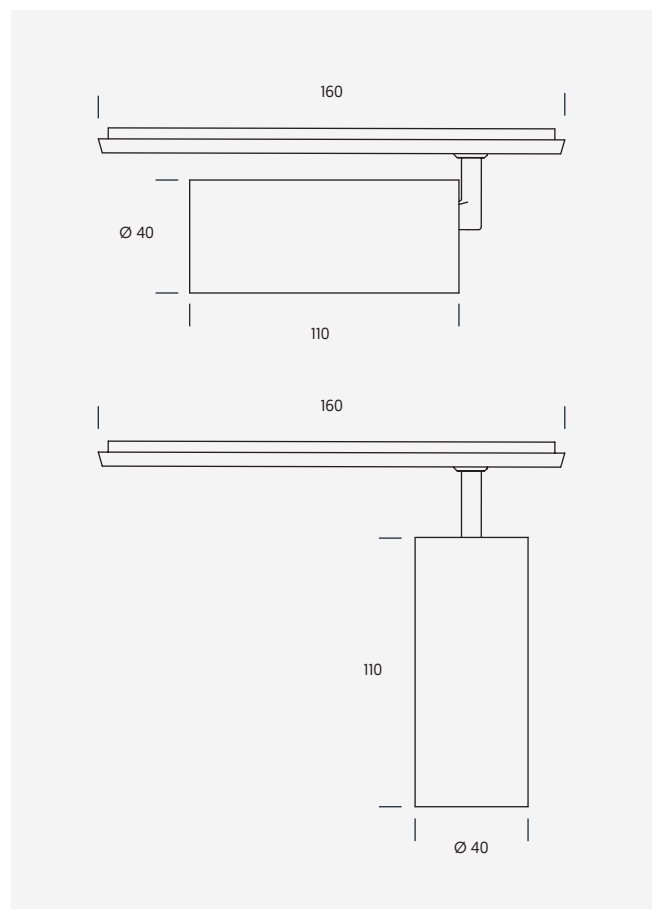
REFERENCE CODE



LIGHT SOURCE

	W	V	TEMP	LUM	CRI
FOCUS 40	6.4	48V	2.700K	674	>90
			3.000K	705	
			4.000K	745	

TECHNICAL DRAWINGS







SPOT 48V

TINY SYSTEM



SPECIFICATIONS

Qualities



Led Colour



Regulation



Beam Angle



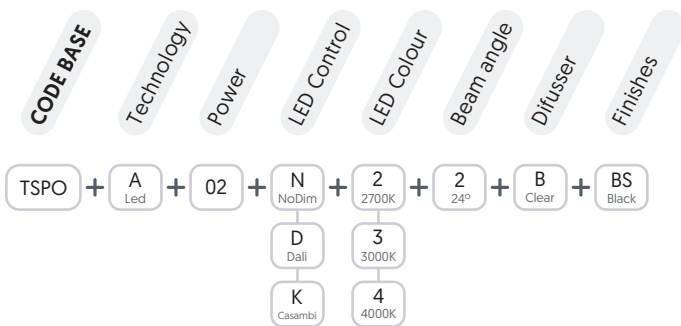
Finish



Diffuser



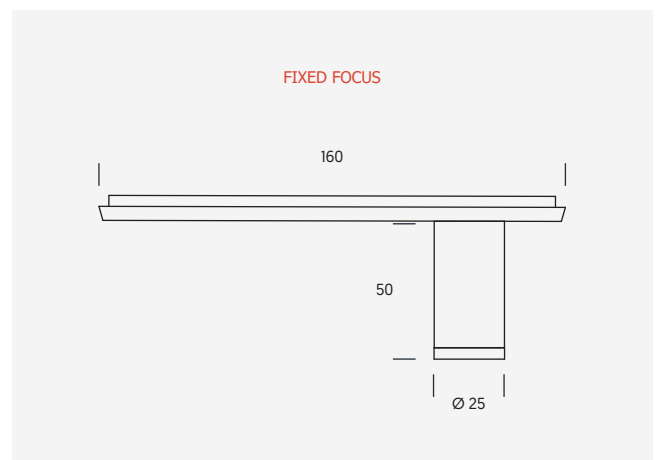
REFERENCE CODE



LIGHT SOURCE

	W	V	TEMP	LUM	CRI
SPOT	2.5	48V	2.700K	258	>90
			3.000K	270	
			4.000K	285	

TECHNICAL DRAWINGS





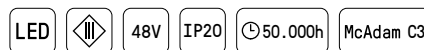
TAO 48V

TINY SYSTEM



SPECIFICATIONS

Qualities



Led Colour



Regulation



Beam Angle



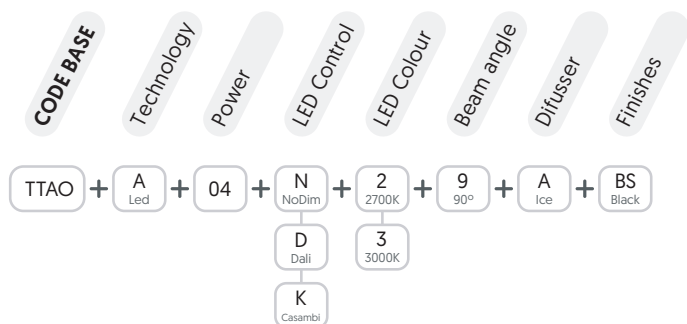
Finish



Diffuser



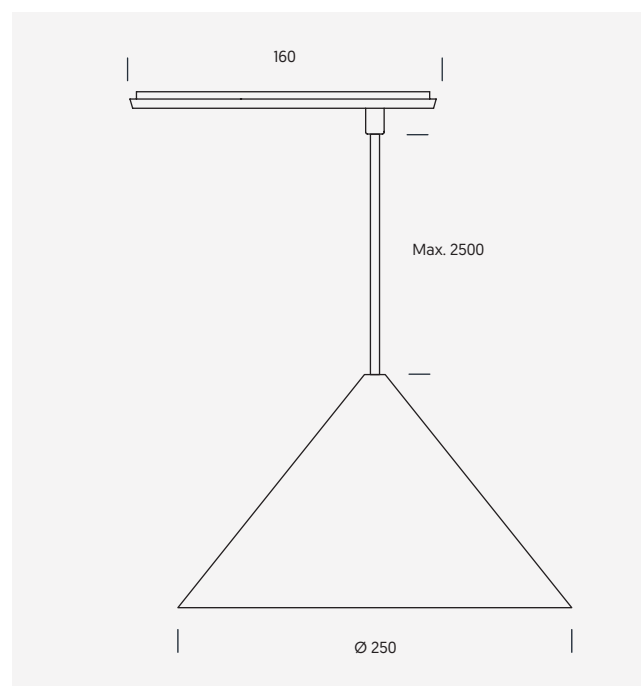
REFERENCE CODE



LIGHT SOURCE

	W	V	TEMP	LUM	CRI
TAO	4	48V	2.700K	450	>80
			3.000K	496	

TECHNICAL DRAWINGS





www.onoklighting.com